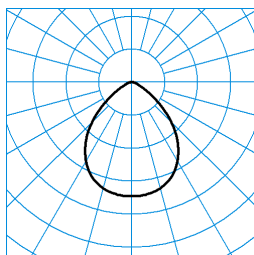
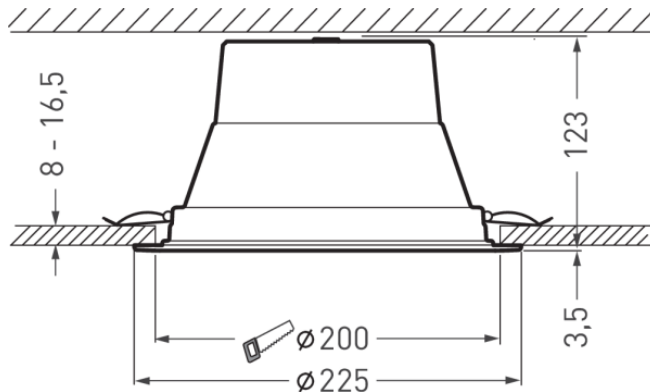


# 2320 C07 WR LED 20/12/ML-830 ET

TOC: 7240440



**TX068993**      ■ CO - C180  
 UGR I = 22.4  
 UGR q = 22.4  
 DIN 5040: A50  
 UTE: 1,00 C



## Offer text

Round LED recessed downlight. Tool-free ceiling installation via rapid-mounting springs. Cut-out opening Ø 200 mm, Recess depth = 125 mm. Reflector, coated white. With rotationally symmetric narrow-wide light distribution. Luminaire with settable luminaire luminous flux / . Connected load depending on the set luminous flux level / . luminous efficiency of luminaire 106 lm/W. Light colour warm white, correlated colour temperature (CCT) 3000 K, general colour rendering index (CRI)  $R_a > 80$ . Mean rated service life  $L70(t_q 20^\circ C) = 50,000$  h. Luminaire body of die-cast aluminium, Colour white. Luminaire diameter Ø 225 mm, luminaire height 126,5 mm. With electronic transformer, switchable. The luminaire is also ENEC-certified by an independent testing authority. Weight 0,6 kg.

## Product features and key data

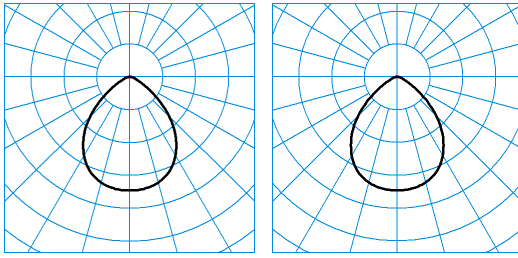
<b>Luminaire type</b>	Round LED recessed downlight.	
<b>Luminaire optic</b>	Reflector, coated white.	
<b>LED-System</b>	Luminous flux (level 0)	Luminous flux (level F)
<b>Connected load</b>	11 W	18 W
<b>Colour temperature</b>	3.000 K	3.000 K
<b>Rated luminous flux</b>	1.100 lm	1.900 lm
<b>Luminous efficacy</b>	100 lm/W	
<b>CEN flux code</b>	66 93 99 100 100 0 0 0 0	
<b>Service life</b>	L70 (20 °C) = 50.000 h	
<b>Colour rendering index</b>	80	
<b>Photobiological class</b>	Group 0 - no risk	
<b>Luminaire colour</b>	RAL9016 Traffic white	
<b>Luminaire body</b>	Luminaire body of die-cast aluminium,	
<b>Electrical version</b>	With electronic transformer, switchable.	
<b>Connection method</b>	Terminal	
<b>Wire diameter</b>	1,50 mm <sup>2</sup>	
<b>Monitoring Ready</b>	No	
<b>Mains frequency</b>	50/60 Hz	
<b>Mains voltage</b>	220 - 240 V	
<b>Ingress Protection (IP) rating</b>	IP20	
<b>Protection class</b>	II	
<b>Impact resistance (IK)</b>	IK02	
<b>Hot wire resistance</b>	650 °C	
<b>Ambient temperature</b>	25 °C	
<b>Net height</b>	126,50 mm	
<b>Outside diameter</b>	225 mm	
<b>Recess depth</b>	125 mm	
<b>Weight</b>	0,6 kg	
<b>Recessing diameter</b>	200 mm	

# 2320 C07 WR LED 20/12/ML-830 ET

TOC: 7240440



## light distribution curve



**TX068993**

■ C0 - C180

UGR I = 22.4

UGR q = 22.4

DIN 5040: A50

UTE: 1,00 C

**TX068994**

■ C0 - C180

UGR I = 20.5

UGR q = 20.5

DIN 5040: A50

UTE: 1,00 C